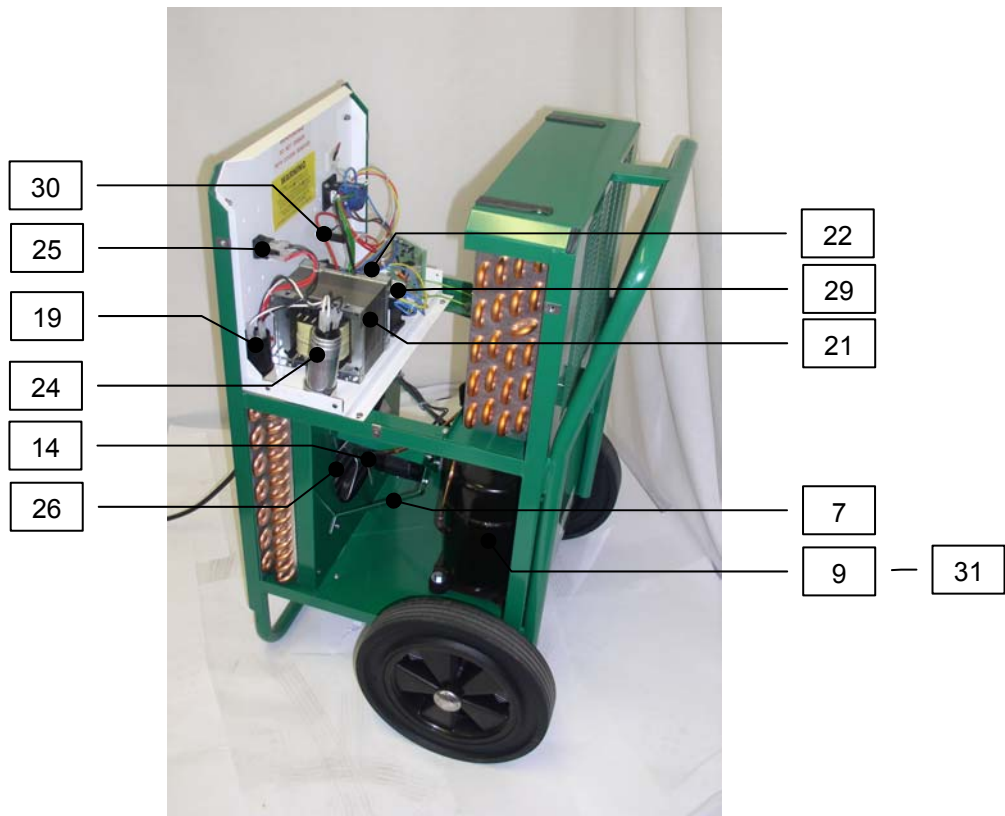
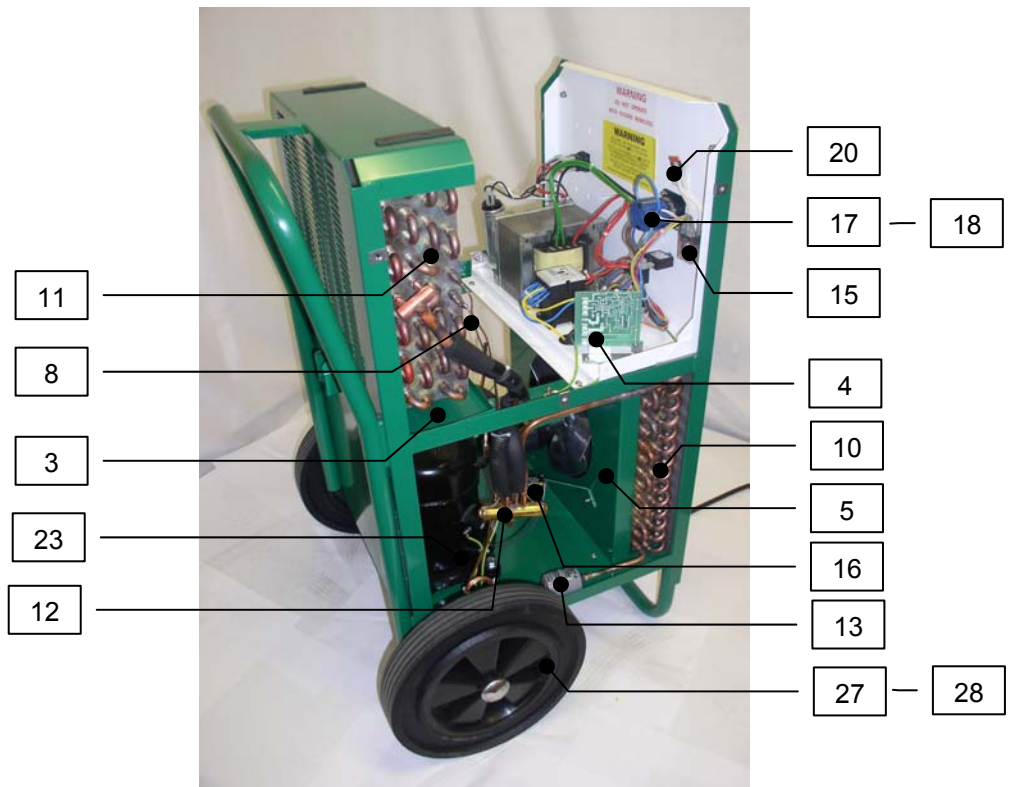


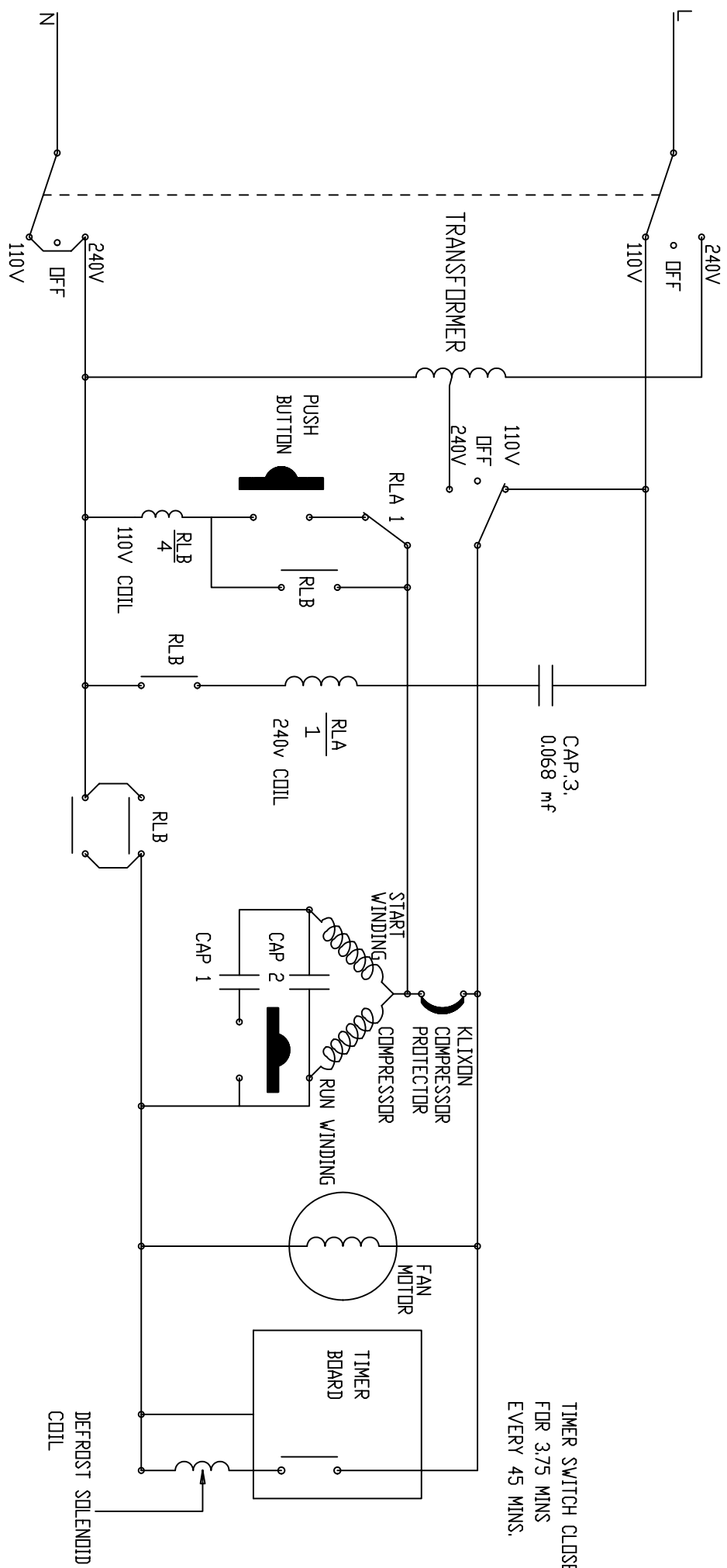
SPARE PARTS LIST

1021800

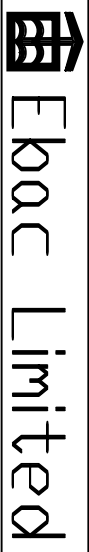
BD150 - UK - 110/230V DEHUMIDIFIER

Ref	Item	Description	UM
1	1021804	Left Hand Side Cover	EA
2	1021805	Right Hand Side Cover	EA
3	1025305	Drain Tray Assembly (Green)	EA
4	1600500	Defrost Timer (110V - 42mins & 4Mins)	EA
5	2020518	Fan Housing	EA
6	2020675	Top Cover	EA
7	2040818	Motor Bracket (2 Pieces)	EA
8	3014251	Capillary Tube 0.047" I/D	FT
9	3020116	Compressor R22 - 110V - (Old Equip)	EA
10	3020727	Condenser Coil	EA
11	3020732	Evaporator Coil	EA
12	3020810	Reversing Valve	EA
13	3020904	Filter Dryer	EA
14	3030126	Fan Motor - 110V	EA
15	3030270	MY4 Relay	EA
16	3030420	Solenoid Coil - 110V	EA
17	3030555	Rotary Switch	EA
18	3030578	Rotary Switch Knob	EA
19	3030813	Start Capacitor (Blue or Black)	EA
20	3030862	Voltage Protection Capacitor	EA
21	3031063	Transformer	EA
22	3031460	Terminal Block	EA
23	3031728	Over Heat Protector (Compressor)	EA
24	3036337	Run Capacitor (Aluminium or White)	EA
25	3036781	Push Button	EA
26	3040116	Fan Blade	EA
27	3050101	Wheel 13" Dia - (Old Equip)	EA
28	3050116	Wheel 300mm Dia	EA
29	3930729	Contactactor - 110V	EA
30	3931313	12A Circuit Breaker	EA
31	3944915	Compressor - R407C - 110V	EA



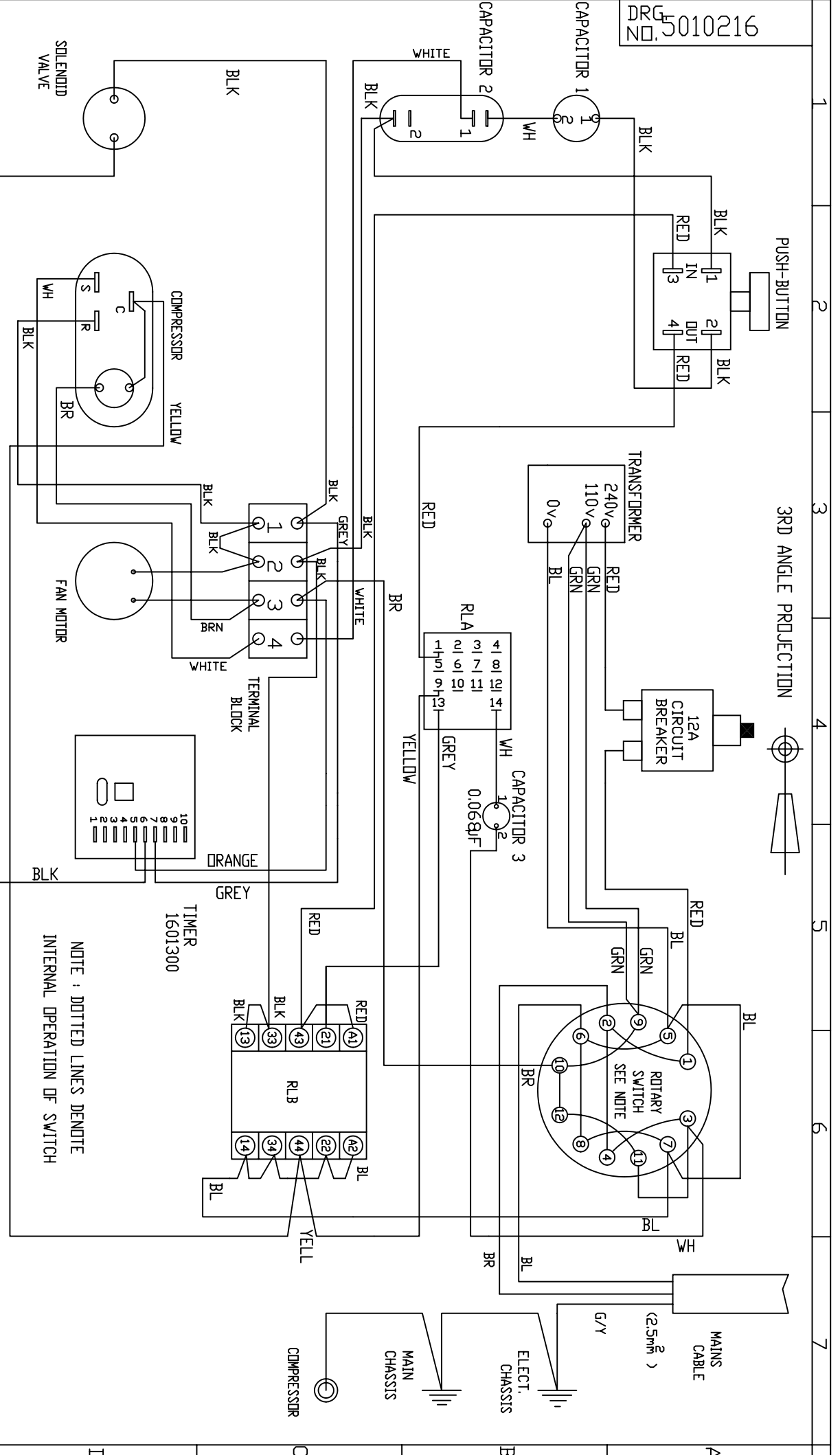


DRAWN HADWIN	ISS. 1		FINISH	TOLERANCE UNLESS STATED	TITLE MK 4 BUILDING DRYER - DUAL VOLTAGE SCHEMATIC DIAGRAM	SECURITY CLASSIFICATION
CHECKED	1	2				
APPROVED	DATE 7/10/77 G.N.I.	29/4/92				
SCALE	C/N					
INSPECTION PROCEDURE						



5020204

DRG. NO.



NOTE : DOTTED LINES DENOTE
INTERNAL OPERATION OF SWITCH

TIMER
1601300

DRAWN S. THOMPSON	ISS.	15	16	17	18	19	20	21	MATERIAL	FINISH	TOLERANCE UNLESS STATED	DIMENSIONS IN m.m.	TITLE WIRING DIA. FOR B/DRYER MK4/1 DUAL VOLTAGE.	SECURITY CLASSIFICATION
	CHECKED	DATE	5/12/86	22-09-87	24/1/91	4/7/91	22/05/96	18/04/00						
APPROVED	C/N	S.T	P.D.T	GE	2153	AF	MTD	MTD						
SCALE	N.T.S													
INSPECTION PROCEDURE														

Ekac Limited

DRG. NO. 5010216