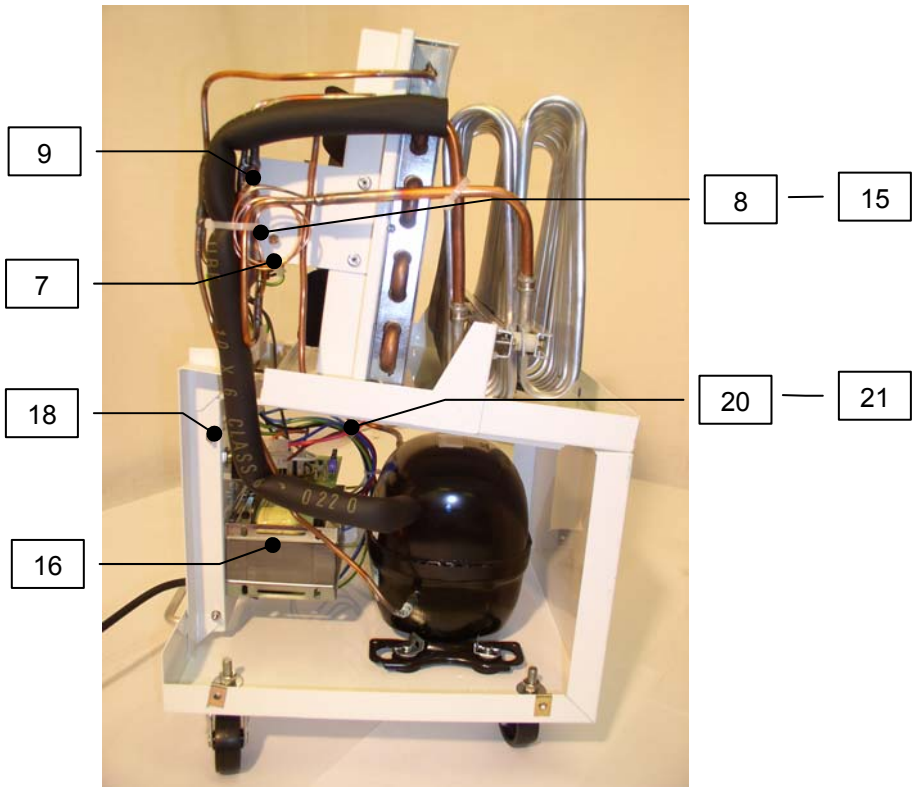
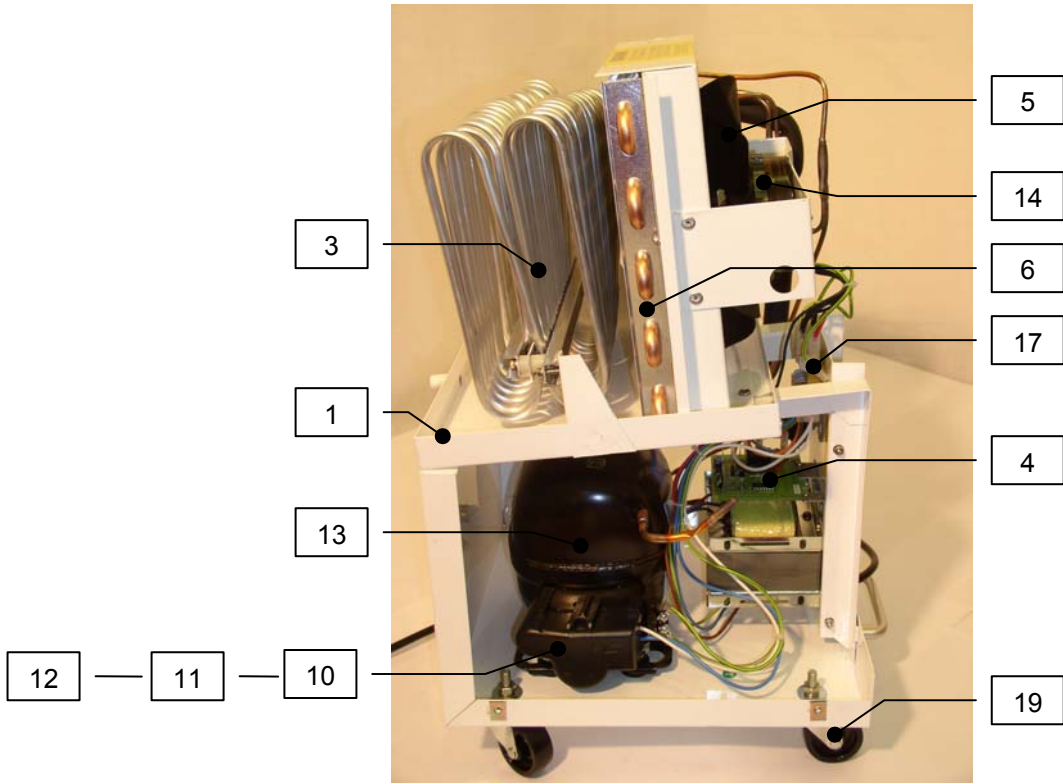
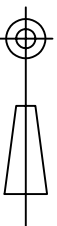


SPARE PARTS LIST**1022900****BD-70 UK 110/230v DUAL VOLTAGE**

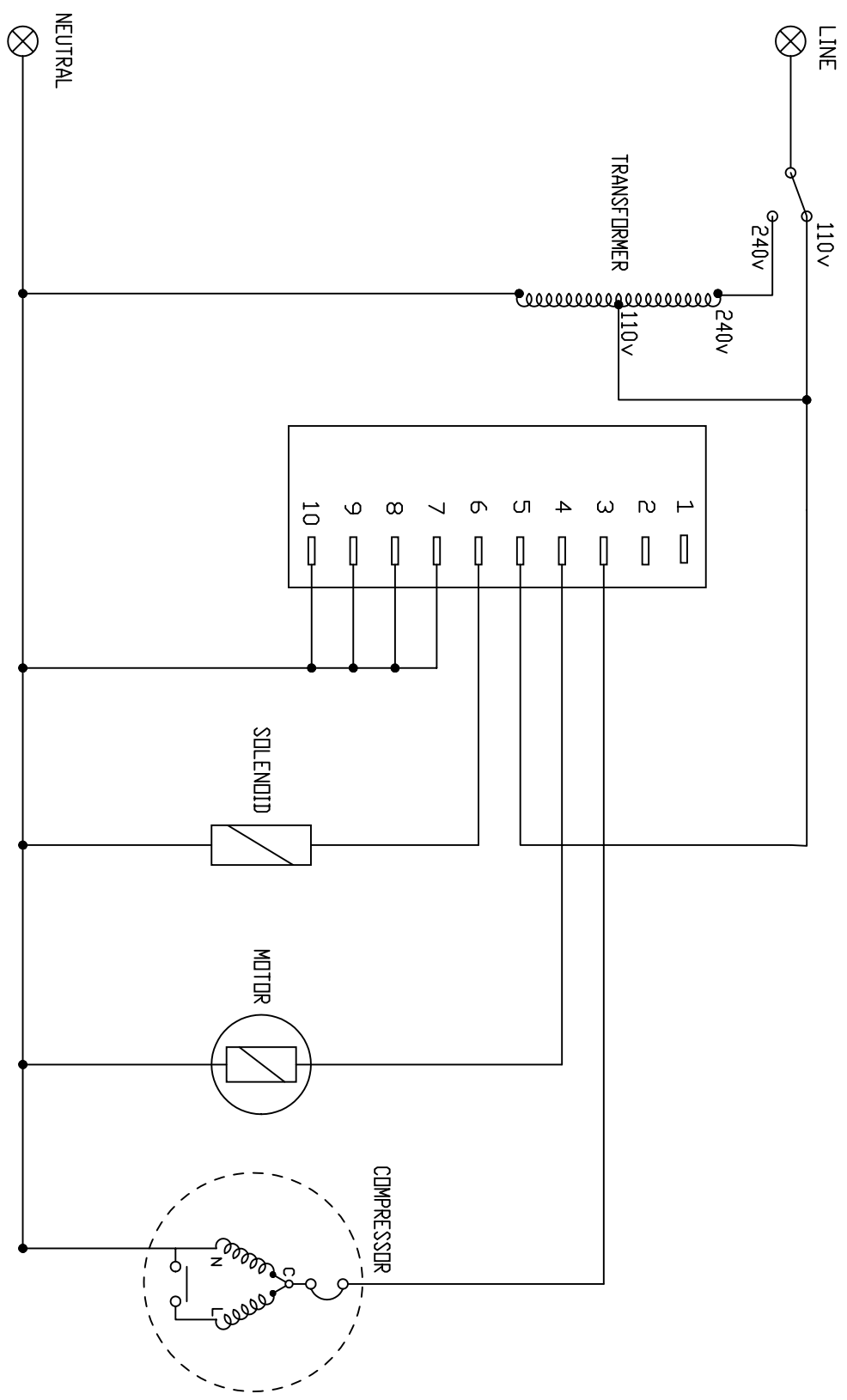
Ref	Item	Description	UM
1	1010106	Drain Tray Assembly (White)	EA
2	1010107	Cover Assembly	EA
3	1016901	Evaporator Coil Assembly	EA
4	1600500	Defrost Timer (110V - 42mins & 4Mins)	EA
5	2017708	Fan Blade	EA
6	2131147	Condenser Coil	EA
7	3014272	Capillary Tube (0.031"X500mm)	EA
8	3020811	Bypass Valve	EA
9	3020937	Filter Dryer	EA
10	3021518	Compressor Electrical Box Cover	EA
11	3021521	Compressor OHP (Klikson)	EA
12	3021522	Compressor Start Relay	EA
13	3022134	Compressor R134a - 110V	EA
14	3030175	Fan Motor - 110V	EA
15	3030421	Solenoid Coil - 110V	EA
16	3031005	Transformer	EA
17	3031460	Terminal Block	EA
18	3032301	Toggle Switch	EA
19	3050216	Castor	EA
20	3933305	Fuse Holder	EA
21	3933405	5A Fuse	EA



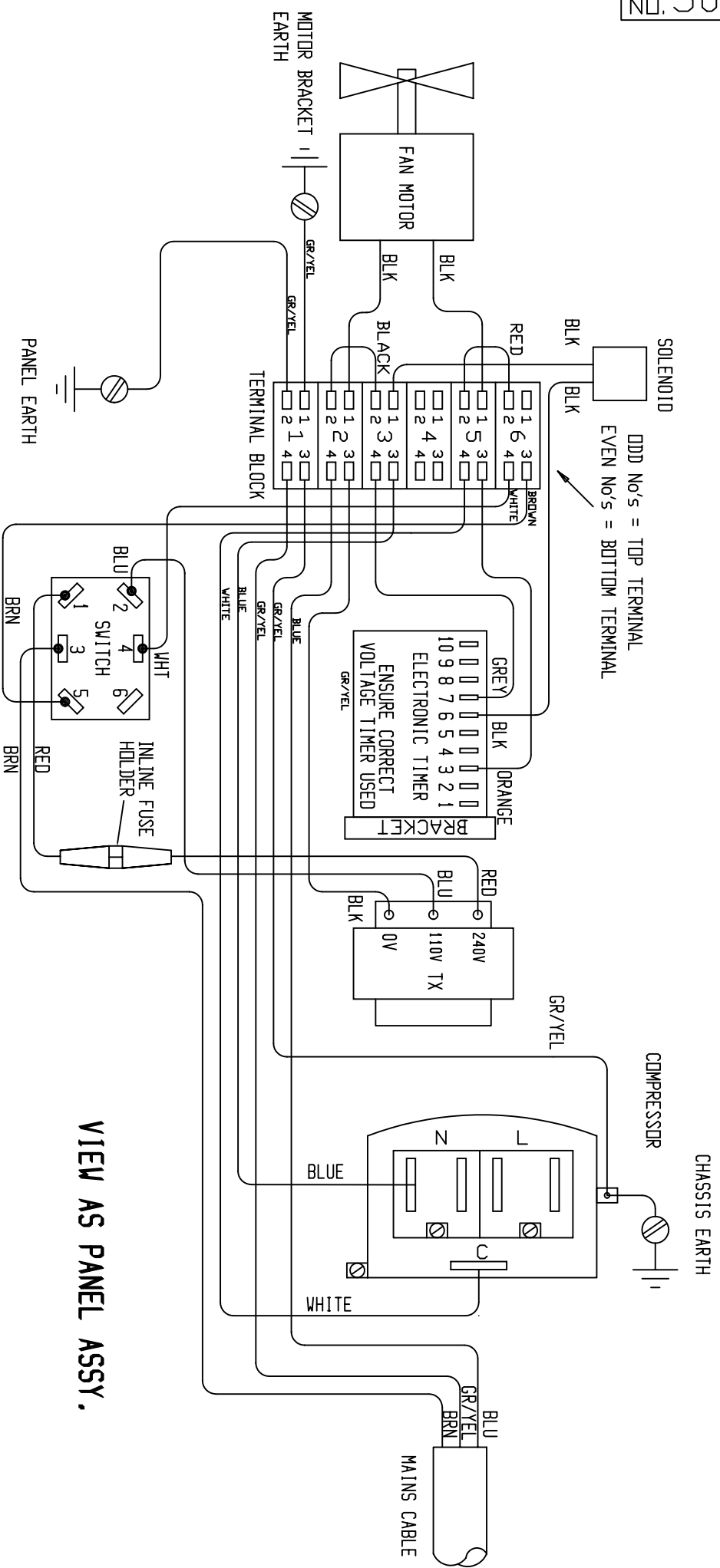
3RD ANGLE PROJECTION



DESCRIPTION	PART No.
REFERENCE TO GENERAL ASSEMBLY	1022900
REFERENCE TO WIRING DIAGRAM	5010105



DRAWN BY ARMS TRDNG	ISS. 1	TITLE ELECTRICAL SCHEMATIC OF THE 110/230V UK BD-70		SECURITY CLASSIFICATION
CHECKED	DATE 10/01/94	Ekac Limited		DRG. NO. 5020160
APPROVED	C/N	TOLERANCE UNLESS STATED DIMENSIONS IN m.m.		
SCALE ----		FINISH -----		
INSPECTION PROCEDURE	MATERIAL -----			



VIEW AS PANEL ASSY.

DRAWN G.E.L.SBURY		ISS.	17	8	9	10	11	12	13	14	15	16	SECURITY CLASSIFICATION	
CHECKED		DATE	12/04/02	21.01.91	19/6/91	02/04/92	06/01/94	29/10/96	21/01/97	18/04/00	17/09/01	8/10/01	TITLE	
APPROVED		C/N	WDA	G.E	AF	JGL	PA	MTD	PA	MTD	WDA	WDA	VERTICAL DEHUMIDIFIER	
SCALE		---	---	---	---	---	---	---	---	---	---	---	WIRING DIAGRAM FOR DUAL VOLTAGE	
INSPECTION PROCEDURE		MATERIAL		FINISH		TOLERANCE UNLESS STATED		DIMENSIONS IN m.m.		DRG.NO.		5010105		
										Ekac Limited		A 3		